

6.35mm(.250") Wire To Wire And Wire To Board Connector



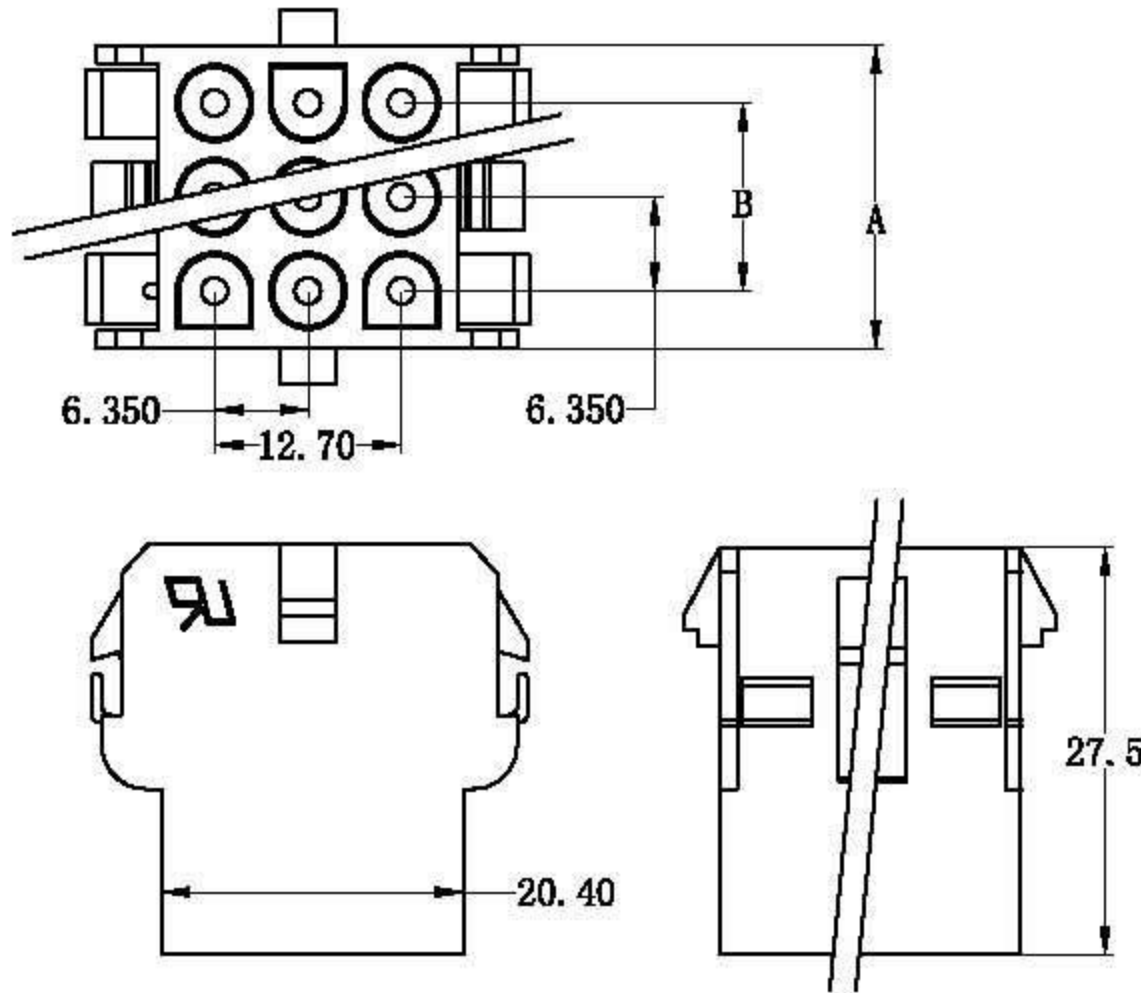
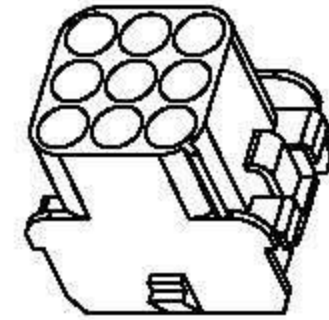
Connector & Terminal

SPECIFICATIONS:

- Current Rating:15A AC,DC
- Voltage Rating:600V AC,DC
- Operating Temperature:V2:-25°C~+85°C
V0:-40°C~+135°C
- Contact Resistance:10mΩ max.
- Insulation Resistance:1000MΩ Min.
- Withstanding Voltage:5000V AC/minute
- Material:Nylon66 UL94V-2 /UL94V-0
- UL File No:E304945
- Terminal In Housing Retention Force Requirement:8.0kg (Min.)
- GWT:750°C IEC-60335-1

Shenzhen Hongru Connector Co., Ltd

Email:yukyli@hrb-connector.com
Tel: 86-0755 2709 6669
Fax: 86-0755 2709 2392
Skype: haiyuncheng-vivian
Mobile(whatsapp): 86-186 8112 3590
Website: http://www.hrb-connector.com



Ordering Information And Dimensions

Part NO.		Circuits	Dimensions	
TYP UL94 V-2	TYP UL94 V-0		Dim:A	Dim:B
P9858-3x2-A-B-H-A/B	P9858-3x2-W-A-H-A/B	6	14.00	6.35
P9858-3x3-A-B-H-A/B	P9858-3x3-W-A-H-A/B	9	20.40	12.70
P9858-3x4-A-B-H-A/B	P9858-3x4-W-A-H-A/B	12	27.10	19.05
P9858-3x5-A-B-H-A/B	P9858-3x5-W-A-H-A/B	15	33.20	25.20

