

# 6.35mm(.250") Wire To Wire And Wire To Board Connector



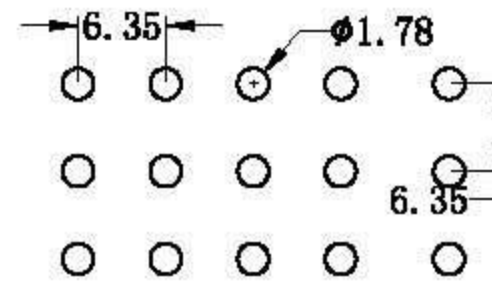
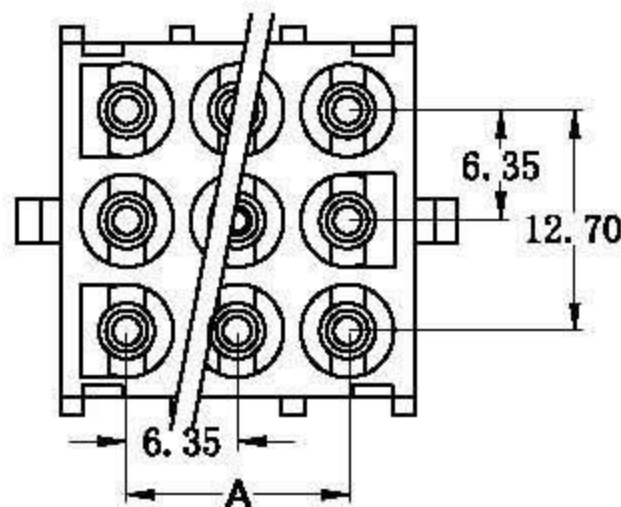
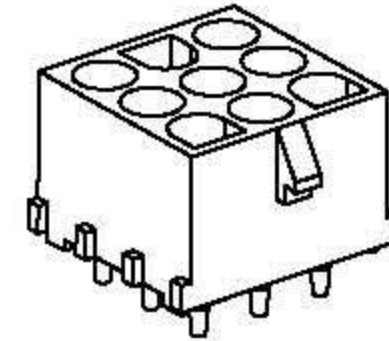
Connector & Terminal

Shenzhen Hongru Connector Co., Ltd

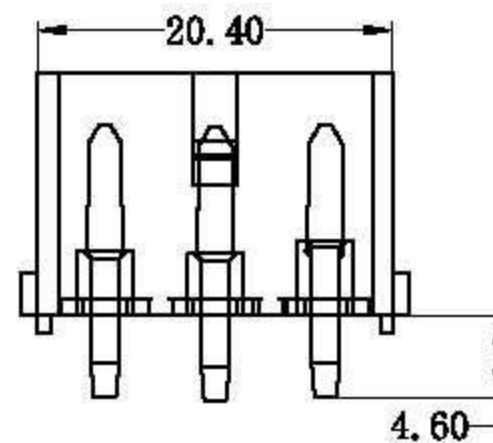
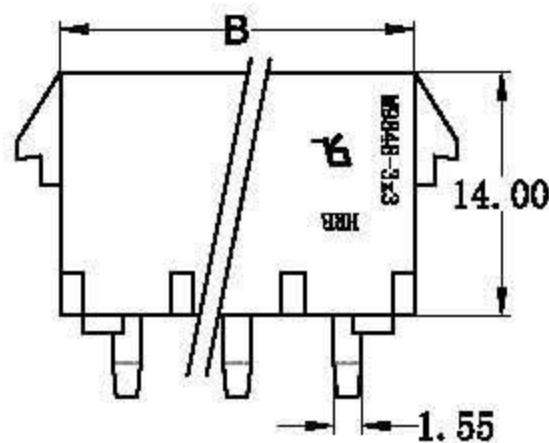
Email: yukyli@hrb-connector.com  
 Tel: 86-0755 2709 6669  
 Fax: 86-0755 2709 2392  
 Skype: haiyuncheng-vivian  
 Mobile(whatsapp): 86-186 8112 3590  
 Website: <http://www.hrb-connector.com>

## SPECIFICATIONS:

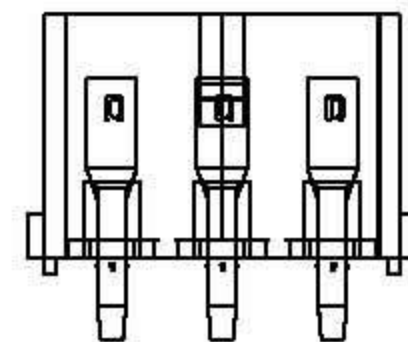
- Current Rating:15AAC,DC
- Voltage Rating:600V AC,DC
- Operating Temperature:V2:-25°C~+85°C  
V0:-40°C~+135°C
- Contact Resistance:10mΩ max.
- Insulation Resistance:1000MΩ Min.
- Withstanding Voltage:5000V AC/minute
- Material:Nylon66 UL94V-2 /UL94V-0
- UL File No:E304945
- Terminal In Housing Retention Force Requirement:2.0kg (Min.)
- GWT:750°C IEC-60335-1



PCB LAYOUT



TYPE 1 MALE



TYPE 2 FEMALE

## Ordering Information And Dimensions

Part NO.		Part NO.		Circuits	Dimensions	
TYP UL94V-2(Female)	TYP UL94V-0(Female)	TYP UL94V2(Male)	TYP UL94V-0(Male)		Dim:A	Dim:B
M9848-3x2-N-H(F)	M9848-3x2-W-H(F)	M9848-3x2-N-H(M)	M9848-3x2-W-H(M)	6	6.35	14.00
M9848-3x3-N-H(F)	M9848-3x3-W-H(F)	M9848-3x3-N-H(M)	M9848-3x3-W-H(M)	9	12.70	20.35
M9848-3x4-N-H(F)	M9848-3x4-W-H(F)	M9848-3x4-N-H(M)	M9848-3x4-W-H(M)	12	19.05	26.70
M9848-3x5-N-H(F)	M9848-3x5-W-H(F)	M9848-3x5-N-H(M)	M9848-3x5-W-H(M)	15	25.20	33.05

