

4.2mm(.165")Wire To Wire And Wire To Board Connector



Shenzhen Hongru Connector Co., Ltd

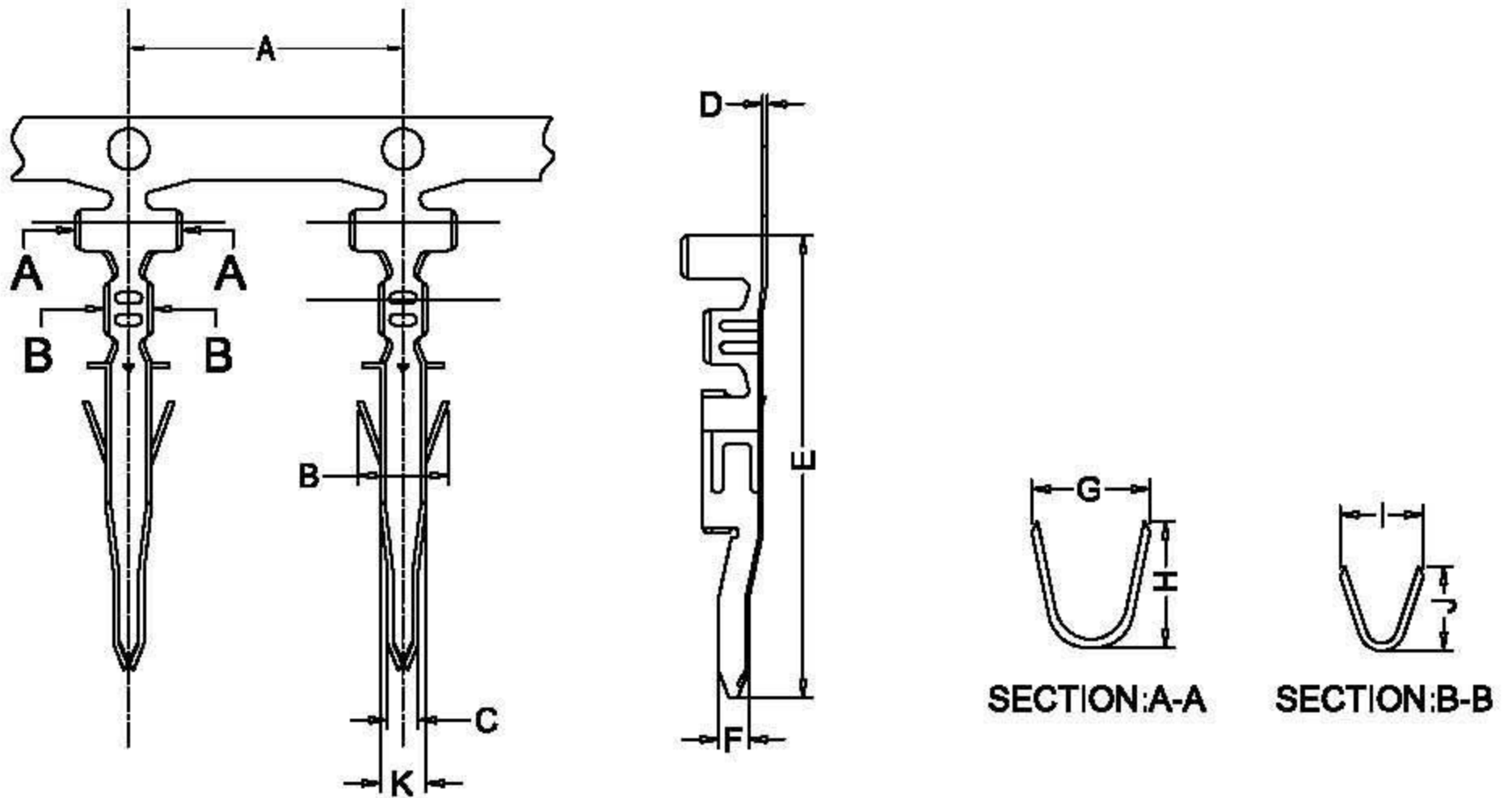
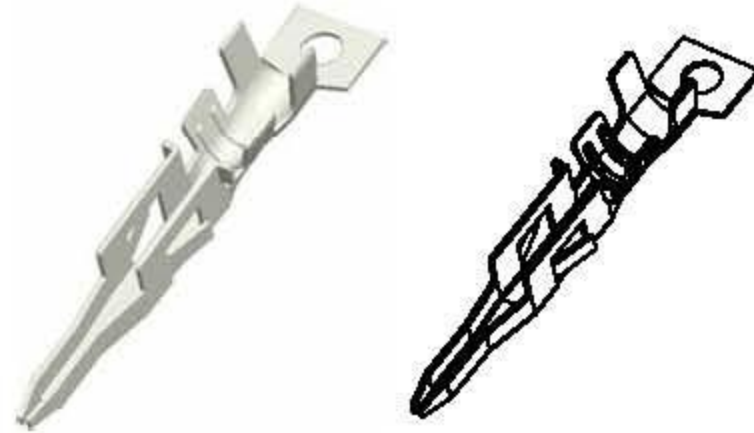
SPECIFICATIONS:

- Current Rating:9A AC,DC
- Voltage Rating:600V AC,DC
- ContactResistance:10mΩ max.
- Withstanding Voltage:1500V AC/minute

Terminal

- Material:Brass
- Finish:Tin Plated
- Thickness:0.20mm
- Qty/Reel:5000pcs
- Use With:P4201 or P42475Series
- Terminal In Housing Retention Force Requirement:6.5kg (Min.)

Email:yukyli@hrb-connector.com
 Tel: 86-0755 2709 6669
 Fax: 86-0755 2709 2392
 Skype: haiyuncheng-vivian
 Mobile(whatsapp): 86-186 8112 3590
 Website: <http://www.hrb-connector.com>



Ordering Information And Dimensions

| Part NO. | A | B | C | D | E | F | G | H | I | J | K | Wire Size |
|------------|------|------|------|------|-------|------|------|------|------|------|------|----------------|
| T4201BS-2 | 11.0 | 3.40 | 1.14 | 0.20 | 16.70 | 1.10 | 3.20 | 3.20 | 2.40 | 2.40 | 1.90 | AWG#20~#18 |
| T4201BS-2A | 11.0 | 3.30 | 1.14 | 0.20 | 16.70 | 1.10 | 3.90 | 4.40 | 2.50 | 2.30 | 1.90 | AWG#18~#16 |
| T4201BS-2B | 11.0 | 3.30 | 1.14 | 0.20 | 16.70 | 1.10 | 2.30 | 2.40 | 1.65 | 1.75 | 1.90 | AWG#22~#26 |
| T4201BS-2C | 11.0 | 3.30 | 1.14 | 0.20 | 16.70 | 1.10 | 3.90 | 4.40 | 2.80 | 2.90 | 1.90 | AWG#18x2~#16x2 |

PART CODE INFORMATION

XXXXX XX - X
 I II III

- I-T4201 Denoting series designation.
- II-BS denoting brass of body
- III-2,2A or 2B,Denoting different of body construction

